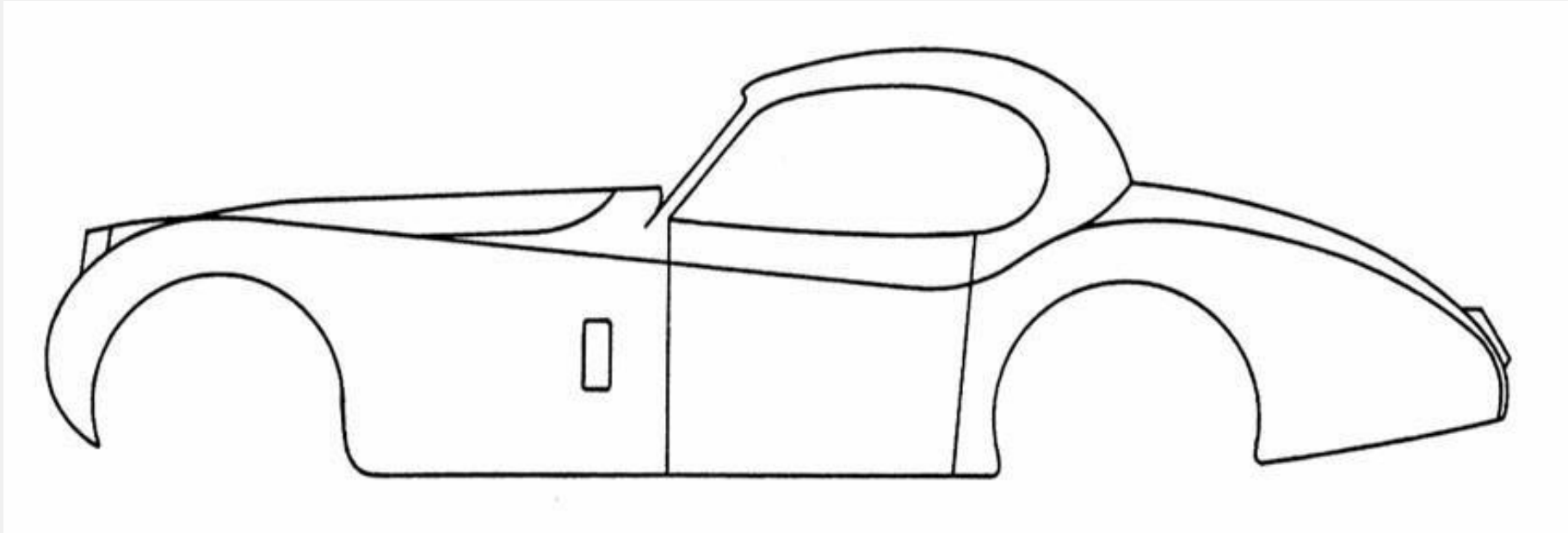


A1 XKS

XK140 BODY PANELS
PRICE LIST



A1 XKS

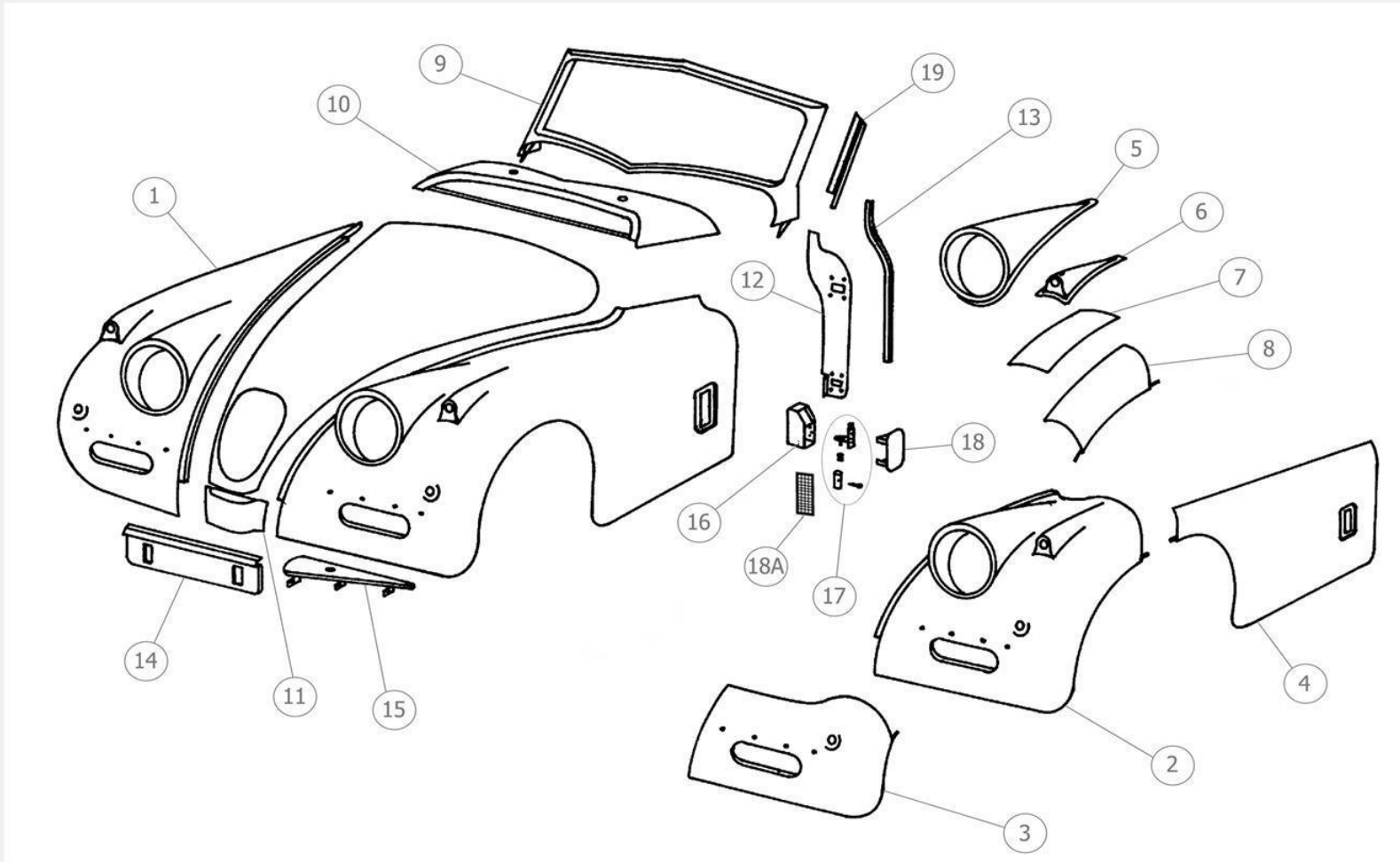
Martin Wentworth

Martin.wentworth@yahoo.co.uk

Tel: 07815 095440



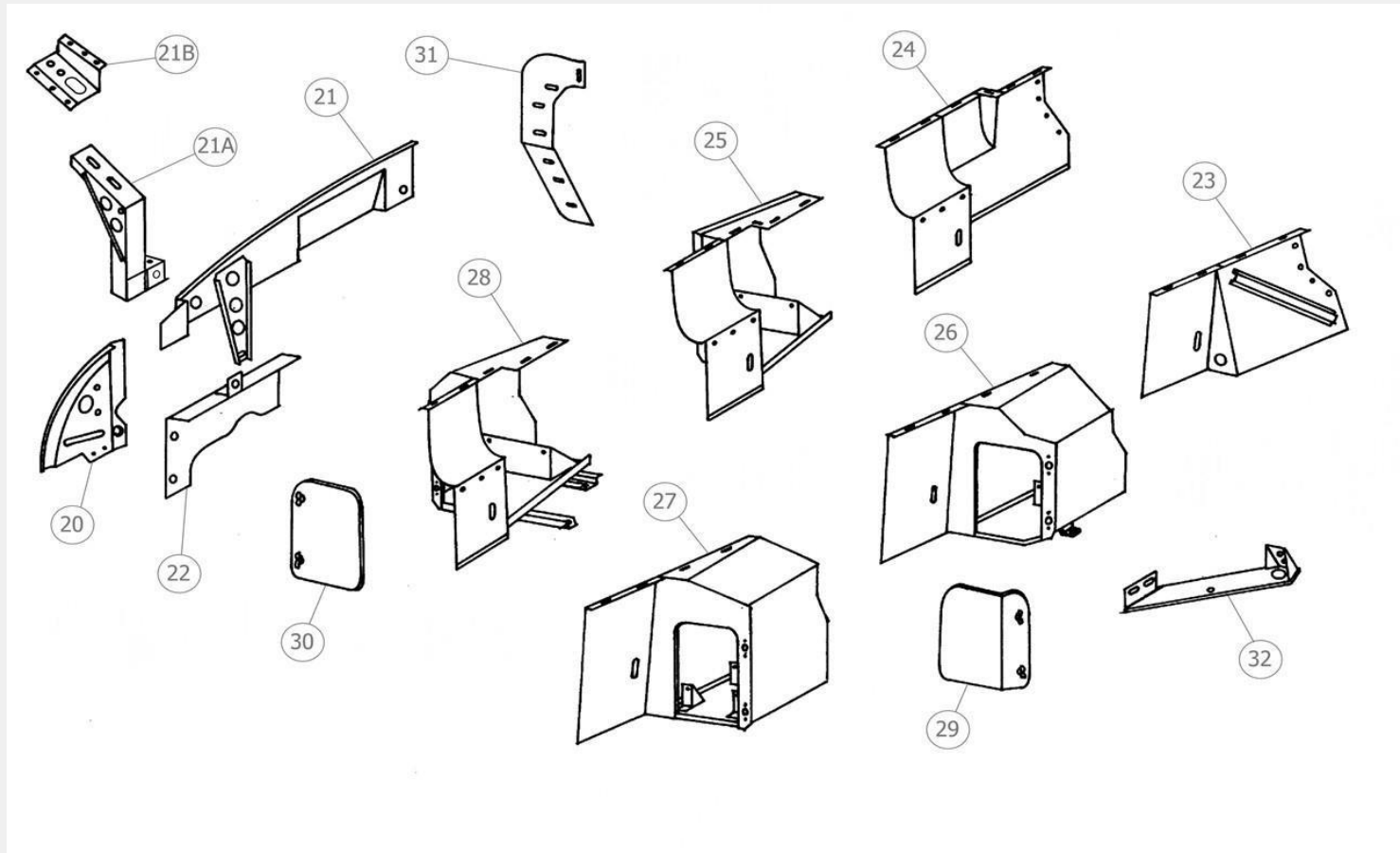
Jaguar XK140 Front Outer Panels



| Panel No. | Description | Price |
|-----------|------------------------------------|-------------|
| XK4-1 | Front Wing (No Pods) | £3800.00 |
| XK4-2 | Half Front Wing (No Pods) | £2500.00 |
| XK4-3 | Front Quarter Wing | £750.00 |
| XK4-4 | Side of Front Wing | £325.00 |
| XK4-5 | Headlamp Pod | £600.00 |
| XK4-6 | Side Light Pod | £96.00 |
| XK4-7 | Patch Under Sidelight | £72.00 |
| XK4-8 | Wheel Arch Repair | £168.00 |
| XK4-9 | Windscreen Surround | Unavailable |
| XK4-10 | Scuttle Panel | £540.00 |
| XK4-11 | Fairing Panel | £72.00 |
| XK4-12 | Hinge Panel | |
| a | Roadster | £180.00 |
| b | Drophead/Fixedhead | £84.00 |
| XK4-13 | Hinge Panel Draft Excluder Channel | |
| a | Roadster | £130.00 |
| b | Drophead/Fixedhead | £45.00 |
| XK4-14 | Front Number Plate Carrier | Unavailable |
| XK4-15 | Bumper Valance | £60.00 |
| XK4-16 | Vent Box | £60.00 |
| XK4-17 | Vent Box Mechanism | £70.00 |
| XK4-18 | Vent Box Door | £30.00 |
| XK4-18a | Vent Box Grill | Unavailable |
| XK4-19 | Water Guttering | Unavailable |

When placing an order, please state the model:
 OTS, DHC, FHC, Left-hand or Right-hand drive, Early or Late

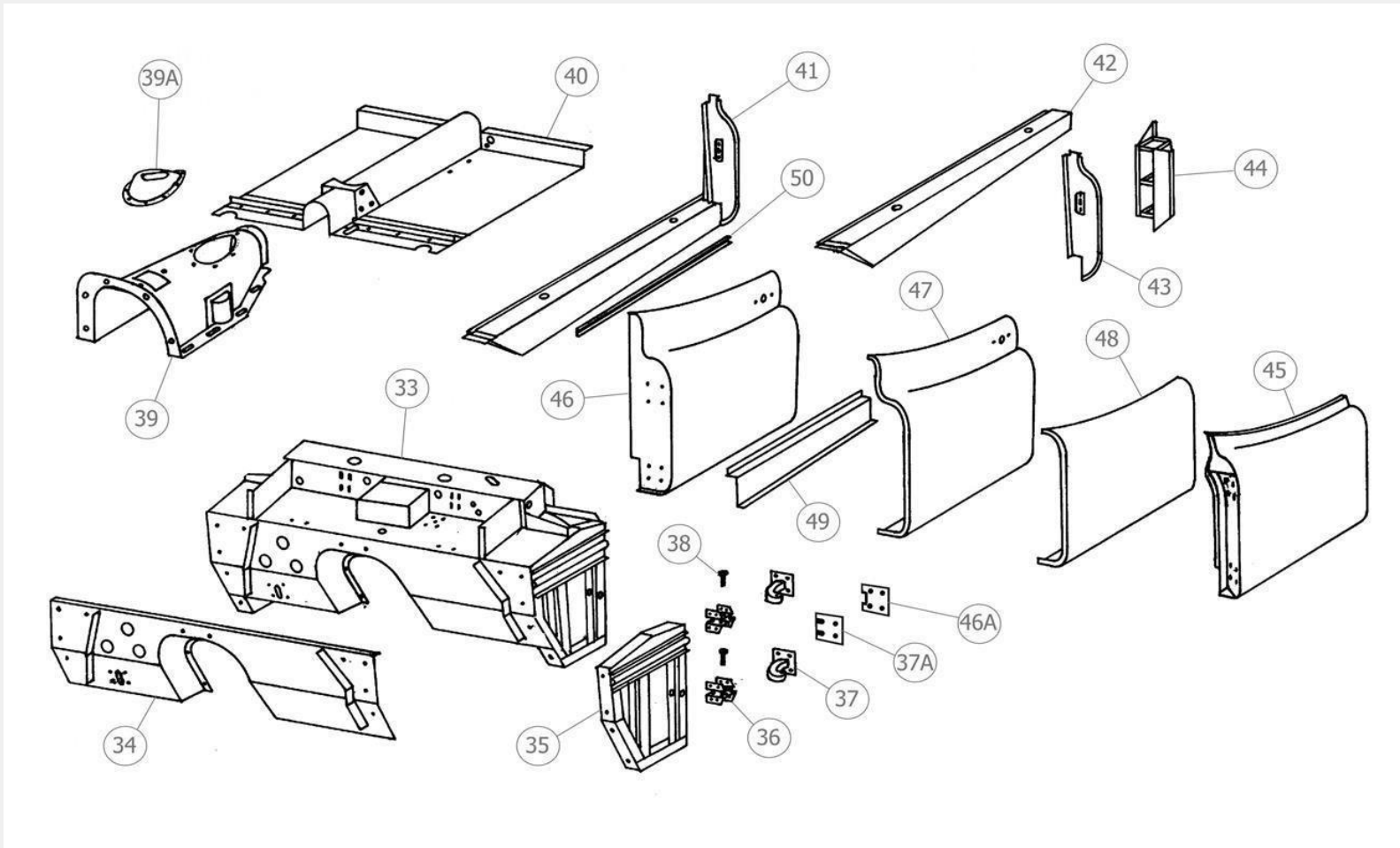
Jaguar XK140 Front Inner Panels



When placing an order, please state the model:
 OTS, DHC, FHC, Left-hand or Right-hand drive, Early or Late

| Panel No. | Description | Price |
|-----------|--|---------|
| XK4-20 | Front of Front Inner Wing | £156.00 |
| XK4-21 | Front Top Inner Wing | |
| d | Lefthand | £132.00 |
| e | Righthand | £156.00 |
| XK4-21a | Front Wing Support Bracket | £144.00 |
| XK4-21b | Front Wing Support Panel | £48.00 |
| XK4-21c | Front Wing Tie Bar | £96.00 |
| XK4-22 | Front Lower Inner Wing | £66.00 |
| XK4-23 | Main Inner Wing (Lefthand drive) | £120.00 |
| XK4-24 | Main Inner Wing (Righthand drive) | £168.00 |
| XK4-25 | Battery Box (Drophead/Roadster Lefthand Drive) | £276.00 |
| XK4-26 | Battery Box (Drophead/Roaster Righthand Drive) | £252.00 |
| XK4-27 | Battery Box (Fixedhead Lefthand) | £276.00 |
| XK4-28 | Battery Box (Fixedhead Righthand) | £300.00 |
| XK4-29 | Battery Box Door (Drophead/Roadster) | £60.00 |
| XK4-30 | Battery Box Door (Fixedhead) | £60.00 |
| XK4-31 | Front Splash Panel | £84.00 |
| XK4-32 | Battery Box Support Bracket | £84.00 |

Jaguar XK140 Centre Section Panels

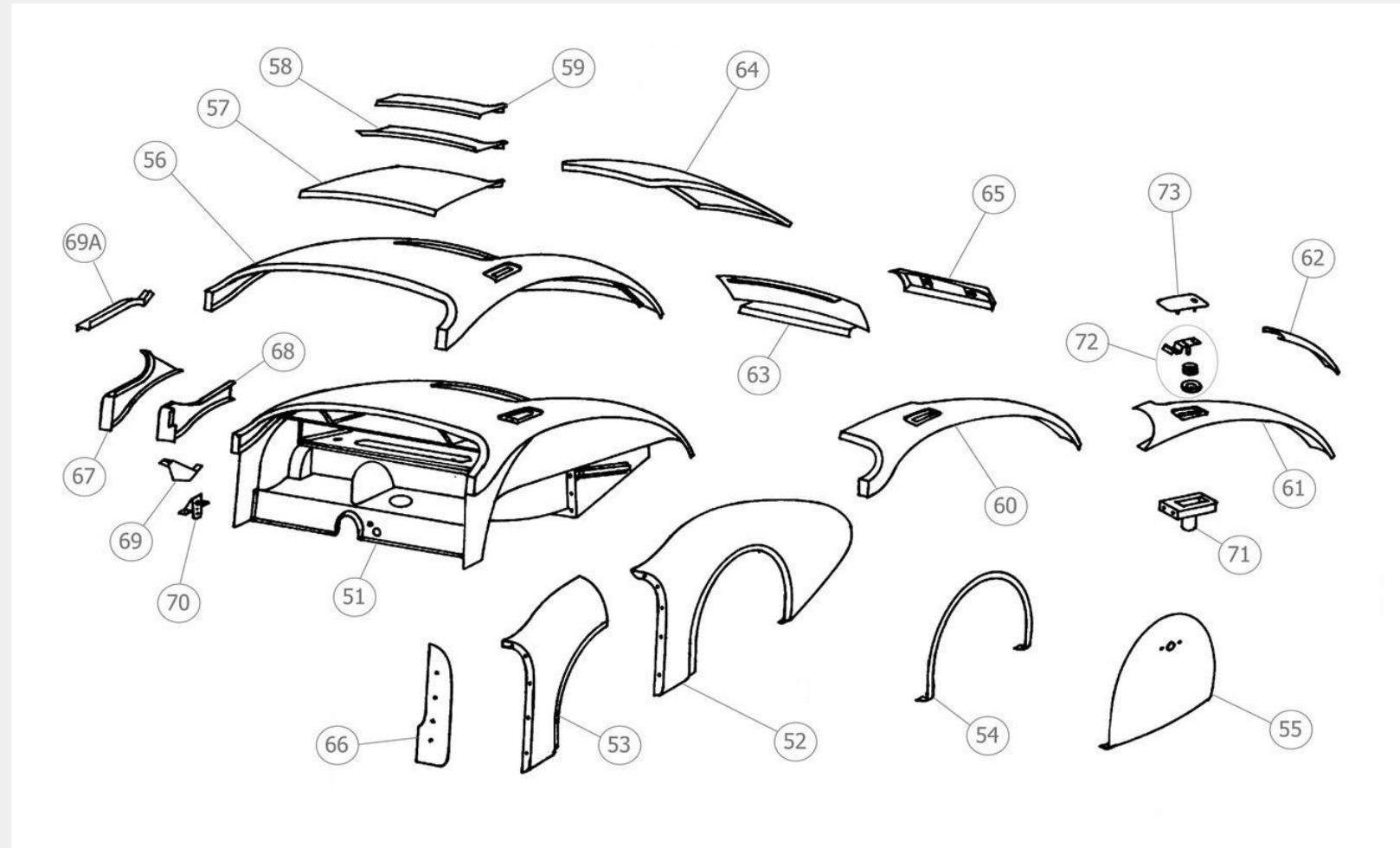


| Panel No. | Description | Price |
|-----------|---|-------------|
| XK4-33 | Bulkhead Assembly | £4200.00 |
| XK4-34 | Bulkhead Toe Board | £540.00 |
| XK4-35 | Bulkhead Side Panel | £132.00 |
| XK4-36 | Door Hinge Box | £60.00 |
| XK4-37 | Door Hinge Arm (with brass bush) | £60.00 |
| XK4-38 | Door Hinge Pin (stainless steel) | £18.00 |
| XK4-39 | Gearbox Tunnel | £540.00 |
| XK4-39a | Gearbox Lever Cowling | £180.00 |
| XK4-40 | Centre Floor Section | £288.00 |
| XK4-41 | Sill Assembly inc shutface panel & pillar | Unavailable |
| XK4-42 | Sill | £168.00 |
| XK4-43 | Shutface Panel | |
| a | Roadster | £108.00 |
| b | Drophead/Fixedhead | £144.00 |
| XK4-44 | Shutface Pillar | £96.00 |
| XK4-45 | Full Door (Roadster) | £1560.00 |
| XK4-46 | Full Door (Drophead/Fixedhead) | £2280.00 |
| XK4-46a | Door Hinge Plate | £30.00 |
| XK4-47 | Door Skin | £480.00 |
| XK4-48 | ¾ Door Skin Repair | |
| a | Roadster | £250.00 |
| b | Drophead/Fixedhead | £250.00 |
| XK4-49 | Door Inner Panel | £54.00 |
| XK4-50 | Sill Draft Excluder Channel | £10.00 |

When placing an order, please state the model:
 OTS, DHC, FHC, Left-hand or Right-hand drive, Early or Late

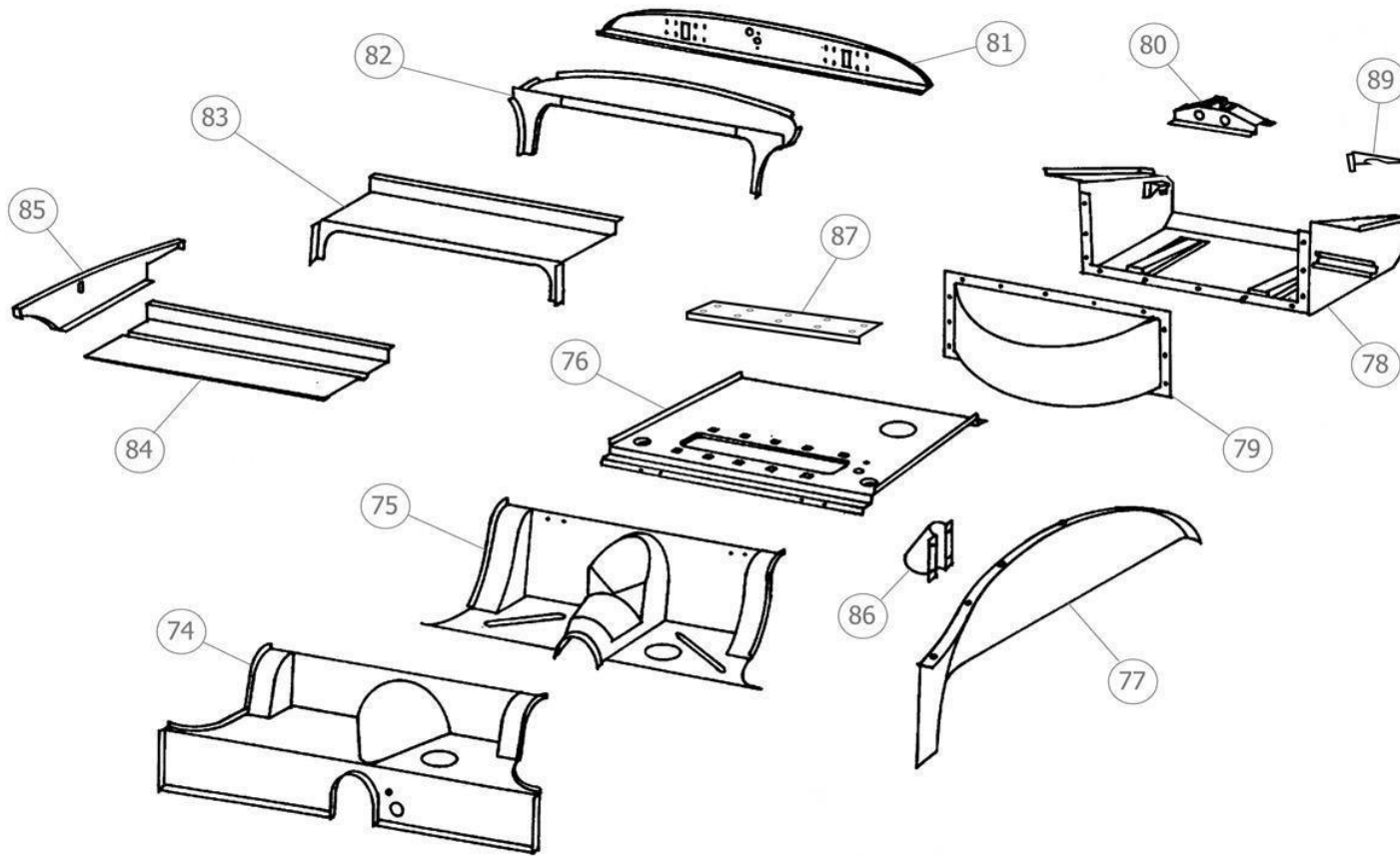
Jaguar XK140 Rear Outer Panels

| Panel No. | Description | Price |
|-----------|-----------------------------------|----------|
| XK4-51 | Rear End Assembly | £7800.00 |
| XK4-52 | Rear Wing | £2000.00 |
| XK4-53 | Front of Rear Wing Repair Section | £600.00 |
| XK4-54 | Copper Wheel Arch Moulding | £36.00 |
| XK4-55 | Wheel Spat | £600.00 |
| XK4-56 | Tonneau Surround | |
| a | Roadster | £3000.00 |
| b | Drophead/Fixedhead | £1800.00 |
| XK4-57 | Upper Tonneau Panel (Roadster) | £560.00 |
| XK4-58 | Upper Tonneau Panel (Fixedhead) | £168.00 |
| XK4-59 | Upper Tonneau Panel (Drophead) | £154.00 |
| XK4-60 | Tonneau Panel Roadster | |
| a | Lefthand | £624.00 |
| b | Righthand | £600.00 |
| XK4-61 | Tonneau Panel Drophead/Fixedhead | |
| a | Lefthand | £456.00 |
| b | Righthand | £432.00 |
| XK4-62 | Tonneau Repair Panel (Bottom 18") | £132.00 |
| XK4-63 | Lower Tonneau Panel | £180.00 |
| XK4-64 | Boot Lid Skin | £780.00 |
| XK64a | Boot Lid Complete | £1680.00 |



| | | | | | |
|--------|----------------------------------|---------|---------|----------------------------------|-------------|
| XK4-65 | Rear Number Plate Carrier | £96.00 | XK4-69a | Hood Frame Capping Panel | Unavailable |
| XK4-66 | Rear Splash Panel | £42.00 | XK4-70 | Hood Mounting Bracket (Roadster) | £30.00 |
| XK4-67 | Quarter Light Panel (Fixedhead) | £132.00 | XK4-71 | Fuel Filler Box | £84.00 |
| XK4-68 | Hood Mounting Panel (Drophead) | £114.00 | XK4-72 | Fuel Filler Box Mechanism | £72.00 |
| XK4-69 | Hood Mounting Bracket (Drophead) | £36.00 | XK4-73 | Fuel Filler Box Lid | £54.00 |

Jaguar XK140 Rear Inner Panels



| Panel No. | Description | Price |
|-----------|-------------------------------------|---------|
| XK4-74 | Rear Bulkhead (Roadster) | £480.00 |
| XK4-75 | Occasional Seat Area | £600.00 |
| XK4-76 | Boot Floor | £288.00 |
| XK4-77 | Rear Inner Wing | £840.00 |
| XK4-78 | Spare Wheel Tray | £240.00 |
| XK4-79 | Curved Extension | £168.00 |
| XK4-80 | Spare Wheel Mounting Bracket | £60.00 |
| XK4-81 | Boot Hinge Panel | £96.00 |
| XK4-82 | Parcel Shelf (Fixedhead) | £132.00 |
| XK4-83 | Parcel Shelf (Drophead) | £120.00 |
| XK4-84 | Parcel Shelf (Roadster) | £228.00 |
| XK4-85 | Tonneau Support Brackets (Roadster) | £72.00 |
| XK4-86 | Fuel Filler Pipe Cover | £60.00 |
| XK4-87 | Inspection Cover | £24.00 |
| XK4-89 | Corner Gusset | £60.00 |
| XK4-88a | Safety Catch Hook only | £36.00 |

When placing an order, please state the model:
 OTS, DHC, FHC, Left-hand or Right-hand drive, Early or Late